



### AC METRIC MOTORS

These high efficiency motors meet North American performance standards and Premium energy efficiency mandates, and have 1.15 service factors.

Typically used for replacement on machine tools, textile machinery and other equipment with metric dimensions but requiring the heavy-duty torque and performance of motors designed for use in North America.

**Two frame constructions are offered:**

**Aluminum frame** models are designated with a 192000 series catalog number, while **cast iron frame** models are 193000 series.

Both types are built to meet international standards and feature IP55 weatherproof enclosures, 60/50 Hz interchangeability (60Hz 230/460 V & 50Hz 200/400V), dual stamped nameplates, CE mark, and F3 conduit box location. Kits are available for field conversion from B3 to B3/B5 or B3/B14.

**LEESON's Inverter Rated Insulation System, (IRIS™)** provides superior protection against voltage spikes induced by variable frequency drives.



### ALUMINUM FRAME

CSA: File number LR33543

UL: File number E57948 for motors produced January 2004 and later

**IP55 weatherproof enclosure** allows for use in a wide range of applications.

**Drain Hole** locations in four quadrants can be drilled-out for multi-position condensate drainage.

**D flange (B5) and C face (B14)** models available. Field conversion kits also offered.

**"Captive Shaft"** keyway.

**Drilled and tapped shaft.**

**Oil seals** on both the drive end and non drive end.

**High efficiency design** utilizes low-loss steel laminations for optimum power and performance.

**Terminal Boards** included.

- 230/460V motors have 9 leads.
- 575V motors have 3 leads.
- All terminal boards have 6 posts.

**Conduit box** with neoprene gaskets. Reposition metric "PG" tapped lead exit hole by rotating box in 90 degree increments. Move box to F1 or F2 position by relocating motor feet.

**Special design steel fan cover** and low-noise fan maximize airflow efficiency.

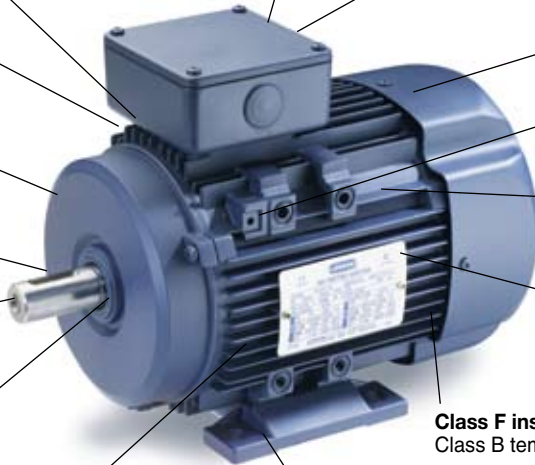
**External grounding** provision.

**Multi-mount repositionable feet** allow for three conduit box positions (F2, F1, F3).

**Aluminum "full fact"** nameplate with information on motor efficiency and power factor. Stamped with 60 Hz and 50 Hz data.

**Class F insulation system** with Class B temperature rise or lower.

**Removable feet.**



### CAST IRON FRAME

CSA: File number LR62104

UL: File number E57948 for motors produced June 2003 and later

**Terminal Boards** included.

- 230/460V motors, 132-frame and larger have 12 leads and 9 post terminal boards.
- 230/460V motors, smaller than 132-frame have 9 leads and 6 post terminal boards.
- 575V motors have 3 leads and 6 post terminal boards.

**IP55 weatherproof enclosure** allows for use in a wide range of applications.

**D flange (B5) and C face (B14)** models available. Field conversion kits also offered.

**Drilled and tapped shaft.**

**Oil seals** on both the drive end and non drive end.

**Cast iron mounting feet** are precision machined for accurate alignment.

**Conduit box** with neoprene gaskets. Reposition metric "PG" threaded lead exit by rotating box in 90 degree increments. Motors 132 frame and larger have second lead exit hole for auxiliary box. Box is fixed at F3 location.

**Heavy-duty cast iron** construction includes frame, endbells and conduit box.

**High efficiency design** utilizes low-loss steel laminations for optimum power and performance.

**Non-sparking fan.** Small size reduces noise and enhances efficiency.

**Steel fan cover.**

**Stainless steel "full fact"** nameplate with information on motor efficiency and power factor. Stamped with 60 Hz and 50 Hz data

**Class F insulation system** with Class B temperature rise or lower.

Specifications are subject to change without notice



**B3 FOOT-MOUNTED METRIC MOTORS • 230/460V**

Metric-dimensioned, AC motors meeting North American performance standards, including 1.15 service factor and Premium efficiencies. For replacement use on machine tools, textile machinery and other equipment with metric dimensions but requiring the heavy-duty torque and performance characteristics of motors designed for use in North America.

IP55 weatherproof enclosures, 60/50 Hz interchangeability (60Hz 230/460V & 50Hz 200/400V), dual stamped nameplates, CE mark, and F3 conduit box location. Kits are available for field conversion from B3 to B3/B5 or B3/B14. See pages 131 and 132 for details.

Motors are available in one of two frame constructions: aluminum or cast iron. Aluminum frame models are designated with a 192000 series catalog number; cast iron models are 193000 series.



**THREE PHASE • IP55 • 1.15 S.F.**

HP-KW	SYN RPM 60 Hz	IEC Frame	Catalog Number	App. Wgt. (lbs.)	Voltage	F.L. Amps 230V	% F.L. Eff.	"C" Dim. (Inches)
1/4-0.18	3600	D63	192010.00	10	230/460	0.8	72.0	8.55
	1800	D63	192011.00	11	230/460	1.1	68.0	8.55
	1200	D71	192012.00	12	230/460	1.2	64.0	9.16
1/3-0.25	3600	D63	192020.00	11	230/460	1.1	72.0	8.55
	1800	D71	192021.00	13	230/460	1.4	68.0	9.46
	1200	D80	192022.00	17	230/460	1.3	70.0	11.11
1/2-0.37	3600	D71	192030.00	13	230/460	1.6	74.0	9.46
	1800	D71	192031.00	14	230/460	1.8	74.0	9.46
	1200	D80	192032.00	19	230/460	1.9	72.0	11.11
3/4-0.55	3600	D71	192040.00	15	230/460	2.4	74.0	9.46
	1800	D80	192041.00	18	230/460	2.5	74.0	11.11
	1200	D80	192042.00	22	230/460	2.7	72.0	11.11
1-0.75	3600	D80	192050.00	21	230/460	2.8	75.5	11.11
	1800	D80	192051.00	26	230/460	3.2	80.0	11.11
	1200	D90S	192200.00	33	230/460	3.3	82.5	12.61
1 1/2-1.1	3600	D80	192060.00	27	230/460	4.0	84.0	11.11
	1800	D90S	192202.00	37	230/460	4.6	86.5	12.61
2-1.5	3600	D90S	192208.00	33	230/460	5.2	85.5	12.61
	1800	D90L	192205.00	38	230/460	5.8	86.5	12.61
	1200	DF100L	193300.60	82	230/460	6.4	88.5	14.97
3-2.2	3600	D90L	192209.00	39	230/460	7.2	86.5	12.61
	1800	DF100L	193301.60	84	230/460	8.2	89.5	14.97
	1200	DF112M	193302.60	100	230/460	9.6	89.5	15.76
4-3	3600	DF100L	193303.60	71	230/460	10.0	88.5	14.97
	1800	DF100L	193304.60	84	230/460	10.4	89.5	14.97
	1200	DF132S	193305.60	154	230/460	13.4	89.5	18.72
5 1/2-4	3600	DF112M	193306.60	104	230/460	13.6	88.5	15.76
	1800	DF112M	193307.60	104	230/460	15.0	89.5	15.76
	1200	DF132M	193308.60	176	230/460	17.6	89.5	20.29
7 1/2-5.5	3600	DF132S	193309.60	152	230/460	18.4	89.5	18.72
	1800	DF132S	193310.60	150	230/460	19.8	91.7	18.72
	1200	DF132M	193311.60	180	230/460	22.0	91.0	20.29
10-7.5	3600	DF132S	193312.60	163	230/460	24.0	90.2	18.72
	1800	DF132M	193313.60	174	230/460	26.2	91.7	20.29
	1200	DF160M	193314.60	251	230/460	27.2	91.0	23.64
15-11	3600	DF160M	193315.60	260	230/460	34.4	91.0	23.64
	1800	DF160M	193316.60	264	230/460	36.6	92.4	23.64
	1200	DF160L	193317.60	330	230/460	38.8	91.7	25.39

**THREE PHASE • IP55 • 1.15 S.F.**

HP-KW	SYN RPM 60 Hz	IEC Frame	Catalog Number	App. Wgt. (lbs.)	Voltage	F.L. Amps 230V	% F.L. Eff.	"C" Dim. (Inches)
20-15	3600	DF160M	193318.60	269	230/460	47.0	91.0	23.64
	1800	DF160L	193319.60	311	230/460	47.6	93.0	25.41
	1200	DF180L	193320.60	385	230/460	51.4	91.7	27.97
25-18.5	3600	DF160L	193321.60	319	230/460	57.2	91.7	25.41
	1800	DF180M	193322.60	381	230/460	59.4	93.6	26.40
	1200	DF200L	193323.60	517	230/460	64.0	93.0	30.54
30-22	3600	DF180M	193324.60	355	230/460	68.8	91.7	26.40
	1800	DF180L	193325.60	427	230/460	71.0	93.6	27.97
	1200	DF200L	193326.60	467	230/460	76.0	93.0	30.54
40-30	3600	DF200L	193327.60	522	230/460	94.0	92.4	30.54
	1800	DF200L	193328.60	531	230/460	94.0	94.1	30.54
	1200	DF225M	193329.60	633	230/460	100.0	94.1	33.29
50-37	3600	DF200L	193330.60	546	230/460	117.0	93.0	30.54
	1800	DF225S	193331.60	632	230/460	118.0	94.5	32.31
	1200	DF250M	193332.60	655	230/460	120.0	94.1	36.61

**METRIC (IEC) B5 FLANGE KITS**

Includes parts to convert these B3 rigid mount motors to a B5 flange mounting. See kits on page 149.



**METRIC (IEC) B14 FACE KITS**

Includes parts to convert these B3 rigid mount motors to a B14 face mounting. See kits on page 150.



Imported OEM equipment can often have a flange face that is different from it's motor's frame size. LEESON now stocks metric (IEC) reduced diameter B14 flanges so you can put a 71 frame flange on an 80 frame motor for example. Flanges come pre-fitted with oil seals and have all the necessary hardware for easy field mounting.

Motor Frame	B14 Flange Frame	Catalogue Number
63	56	175900.00
71	63	175901.00
80	71	175902.00
90	80	175903.00



12-lead Delta windings (132MD frame and larger)  
for across-the-line or wye-delta starts.

**SHADED FRAME INDICATES CAST IRON CONSTRUCTION**

See Page 276 for metric IEC Motor Dimensions

All three phase motors, 1 HP and above, are inverter rated.

Specifications are subject to change without notice

**B3/B5 FLANGE-MOUNTED METRIC MOTORS • 230/460V**

Metric-dimensioned, AC motors meeting North American performance standards, including 1.15 service factor and Premium efficiencies. Motors have both B5 flange mounting and B3 base.

Typically used for replacement on machine tools, textile machinery and other equipment with metric dimensions but requiring the heavy-duty torque and performance characteristics of motors designed for use in North America.

IP55 weatherproof enclosures, 60/50 Hz interchangeability (60Hz 230/460V & 50Hz 200/400V), dual stamped nameplates, CE mark, and F3 conduit box location.

Motors are available in one of two frame constructions: aluminum or cast iron. Aluminum frame models are designated with a 192000 series catalog number; cast iron models are 193000 series.



**THREE PHASE • IP55 • 1.15 S.F.**

HP-KW	SYN RPM 60 Hz	IEC Frame	Catalog Number	App. Wgt. (lbs.)	Voltage	F.L. Amps 230V	% F.L. Eff.	"C" Dim. (Inches)
1/4-0.18	3600	D63D	192014.00	10	230/460	0.8	72.0	8.54
	1800	D63D	192015.00	11	230/460	1.0	68.0	8.54
	1200	D71D	192016.00	12	230/460	1.2	64.0	9.45
1/3-0.25	3600	D63D	192024.00	11	230/460	1.1	72.0	8.54
	1800	D71D	192025.00	13	230/460	1.4	68.0	9.45
	1200	D80D	192026.00	17	230/460	1.3	70.0	11.10
1/2-0.37	3600	D71D	192034.00	13	230/460	1.6	74.0	9.45
	1800	D71D	192035.00	14	230/460	1.8	74.0	9.45
	1200	D80D	192036.00	19	230/460	1.9	72.0	11.10
3/4-0.55	3600	D71D	192044.00	15	230/460	2.4	74.0	9.45
	1800	D80D	192045.00	18	230/460	2.5	74.0	11.10
	1200	D80D	192046.00	22	230/460	2.7	72.0	11.10
1-0.75	3600	D80D	192054.00	21	230/460	2.8	75.5	11.10
	1800	D80D	192055.00	26	230/460	3.2	80.0	11.10
	1200	D90SD	192201.00	35	230/460	3.3	82.5	12.60
1 1/2-1.1	3600	D80D	192064.00	30	230/460	4.0	84.0	11.10
	1800	D90SD	192203.00	37	230/460	4.6	86.5	12.60
2-1.5	3600	D90SD	192210.00	33	230/460	5.2	85.5	12.60
	1800	D90LD	192206.00	38	230/460	5.8	86.5	12.60
	1200	DF100LD	193333.60	82	230/460	6.4	88.5	14.96
3-2.2	3600	D90LD	192211.00	39	230/460	7.2	86.5	12.60
	1800	DF100LD	193334.60	84	230/460	8.2	89.5	14.96
	1200	DF112MD	193335.60	100	230/460	9.6	89.5	15.75
4-3	3600	DF100LD	193336.60	71	230/460	10.0	88.5	14.96
	1800	DF100LD	193337.60	84	230/460	10.4	89.5	14.96
	1200	DF132SD	193338.60	154	230/460	13.4	89.5	18.70
5 1/2-4	3600	DF112MD	193339.60	104	230/460	13.6	88.5	15.75
	1800	DF112MD	193340.60	104	230/460	15.0	89.5	15.75
	1200	DF132MD	193341.60	176	230/460	17.6	89.5	20.28
7 1/2-5.5	3600	DF132SD	193342.60	152	230/460	18.4	89.5	18.70
	1800	DF132SD	193343.60	150	230/460	19.8	91.7	18.70
	1200	DF132MD	193344.60	180	230/460	22.0	91.0	20.28
10-7.5	3600	DF132SD	193345.60	163	230/460	24.0	90.2	18.70
	1800	DF132MD	193346.60	174	230/460	26.2	91.7	20.28
	1200	DF160MD	193347.60	251	230/460	27.2	91.0	23.62
15-11	3600	DF160MD	193348.60	260	230/460	34.4	91.0	23.62
	1800	DF160MD	193349.60	264	230/460	36.6	92.4	23.62
	1200	DF160LD	193350.60	330	230/460	38.8	91.7	25.39

Note: Aluminum motors have removable feet for round-body applications.

**12-lead Delta windings (132MD frame and larger)  
for across-the-line or wye-delta starts.**

**THREE PHASE • IP55 • 1.15 S.F.**

HP-KW	SYN RPM 60 Hz	IEC Frame	Catalog Number	App. Wgt. (lbs.)	Voltage	F.L. Amps 230V	% F.L. Eff.	"C" Dim. (Inches)
20-15	3600	DF160MD	193351.60	269	230/460	47.0	91.0	23.62
	1800	DF160LD	193352.60	311	230/460	47.6	93.0	25.39
	1200	DF180LD	193353.60	385	230/460	51.4	91.7	27.95
25-18.5	3600	DF160LD	193354.60	319	230/460	57.2	91.7	25.39
	1800	DF180MD	193355.60	381	230/460	59.4	93.6	26.38
30-22	3600	DF180MD	193356.60	355	230/460	68.0	91.7	26.38
	1800	DF180LD	193357.60	427	230/460	71.0	93.6	27.95

Larger HP B3 Foot-Mounted metric motors on page 148 can be converted to B3/B5 Flange-Mount by installing B5 Flange Kits.



**METRIC (IEC) B5 FLANGE KITS**

Includes parts to convert a B3 rigid mount motor (page 73) to B5 flange mounting.

**For Aluminum Frame Motors Only (192000 Series)**

	63 Frame		71 Frame		80 Frame		90 Frame	
	Cat. No.	App. Wgt. (lbs.)	Cat. No.	App. Wgt. (lbs.)	Cat. No.	App. Wgt. (lbs.)	Cat. No.	App. Wgt. (lbs.)
(B5) Flange	175850.00	1	175852.00	1	175854.00	2	175856.00	2

**For Cast Iron Frame Motors Only (193000 Series)**

These kits are for use only on IEC cast iron motors - Premium Efficient.

	100 Frame		112 Frame		132 Frame		160 Frame		180 Frame	
	Cat. No.	App. Wgt. (lbs.)	Cat. No.	App. Wgt. (lbs.)	Cat. No.	App. Wgt. (lbs.)	Cat. No.	App. Wgt. (lbs.)	Cat. No.	App. Wgt. (lbs.)
(B5) Flange	175810.60	13	175811.60	16	175812.60	20	175990.60	36	175890.60	43

	200 Frame		225 Frame	
	Cat. No.	App. Wgt. (lbs.)	Cat. No.	App. Wgt. (lbs.)
(B5) Flange	175994.60	58	175995.60	73

**SHADED FRAME INDICATES CAST IRON CONSTRUCTION**

All three phase motors, 1 HP and above, are inverter rated.

Specifications are subject to change without notice

**B3/B14 FACE-MOUNTED METRIC MOTORS • 230/460V**

Metric-dimensioned, AC motors meeting North American performance standards, including 1.15 service factor and EPACT efficiencies. These motors have both B14 face mounting and B3 base.

Typically used for replacement on machine tools, textile machinery and other equipment with metric dimensions but requiring the heavy-duty torque and performance characteristics of motors designed for use in North America.

IP55 weatherproof enclosures, 60/50 Hz interchangeability (60Hz 230/460V & 50Hz 200/400V), dual stamped nameplates, CE mark, and F3 conduit box location.

Motors are available in one of two frame constructions: aluminum or cast iron. Aluminum frame models are designated with a 192000 series catalog number; cast iron models are 193000 series.



**THREE PHASE • IP55 • 1.15 S.F.**

HP-KW	SYN RPM 60 Hz	IEC Frame	Catalog Number	App. Wgt. (lbs.)	Voltage	F.L. Amps 230V	% F.L. Eff.	"C" Dim. (Inches)
1/4-0.18	3600	D63C	192017.00	10	230/460	0.8	72.0	8.55
	1800	D63C	192018.00	11	230/460	1.0	68.0	8.55
	1200	D71C	192019.00	12	230/460	1.2	64.0	9.46
1/3-0.25	3600	D63C	192027.00	11	230/460	1.1	72.0	8.55
	1800	D71C	192028.00	13	230/460	1.4	68.0	9.46
	1200	D80C	192029.00	17	230/460	1.3	70.0	11.11
1/2-0.37	3600	D71C	192037.00	13	230/460	1.6	74.0	9.46
	1800	D71C	192038.00	14	230/460	1.8	74.0	9.46
	1200	D80C	192039.00	19	230/460	1.9	72.0	11.11
3/4-0.55	3600	D71C	192047.00	15	230/460	2.4	74.0	9.46
	1800	D80C	192048.00	18	230/460	2.5	74.0	11.11
	1200	D80C	192049.00	22	230/460	2.7	72.0	11.11
1-0.75	3600	D80C	192057.00	21	230/460	2.8	75.5	11.11
	1800	D80C	192058.00	26	230/460	3.2	80.0	11.11
	1200	D90SC	192212.00	35	230/460	3.3	82.5	12.60
1 1/2-1.1	3600	D80C	192067.00	27	230/460	4.0	84.0	11.11
	1800	D90SC	192204.00	37	230/460	4.6	86.5	12.61
2-1.5	3600	D90SC	192213.00	33	230/460	5.2	85.5	12.61
	1800	D90LC	192207.00	38	230/460	5.8	86.5	12.61
	1200	DF100LC	193358.60	82	230/460	6.4	88.5	14.97
3-2.2	3600	D90LC	192214.00	39	230/460	7.2	86.5	12.61
	1800	DF100LC	193359.60	84	230/460	8.2	89.5	14.97
	1200	DF112MC	193360.60	84	230/460	9.6	89.5	15.76
4-3	3600	DF100LC	193361.60	71	230/460	10.0	88.5	14.97
	1800	DF100LC	193362.60	84	230/460	10.4	89.5	14.97
	1200	DF132SC	193363.60	154	230/460	13.4	89.5	18.72
5 1/2-4	3600	DF112MC	193364.60	104	230/460	13.6	88.5	15.76
	1800	DF112MC	193365.60	104	230/460	15.0	89.5	15.76
	1200	DF132MC	193366.60	176	230/460	17.6	89.5	20.29
7 1/2-5.5	3600	DF132SC	193367.60	152	230/460	18.4	89.5	18.72
	1800	DF132SC	193368.60	150	230/460	19.8	91.7	18.72
	1200	DF132MC	193369.60	180	230/460	22.0	91.0	20.29
10-7.5	3600	DF132SC	193370.60	163	230/460	24.0	90.2	18.72
	1800	DF132MC	193371.60	174	230/460	26.2	91.7	20.29
	1200	DF160MC	193372.60	251	230/460	27.2	91.0	23.64
15-11	3600	DF160MC	193373.60	260	230/460	34.4	91.0	23.64
	1800	DF160MC	193374.60	264	230/460	36.6	92.4	23.64
	1200	DF160LC	193375.60	330	230/460	38.8	91.7	25.41

Note: Aluminum motors have removable feet for round-body applications.

**12-lead Delta windings (132MD frame and larger)  
 for across-the-line or wye-delta starts.**

**THREE PHASE • IP55 • 1.15 S.F.**

HP-KW	SYN RPM 60 Hz	IEC Frame	Catalog Number	App. Wgt. (lbs.)	Voltage	F.L. Amps 230V	% F.L. Eff.	"C" Dim. (Inches)
20-15	3600	DF160MC	193376.60	269	230/460	47.0	91.0	23.64
	1800	DF160LC	193377.60	311	230/460	47.6	93.0	25.41
25-18.5	3600	DF160LC	193378.60	319	230/460	57.2	91.7	25.41

**Larger HP B3 Foot-Mounted metric motors on page 148 can be converted to B3/B14 Flange-Mount by installing B14 Face Kits**



Includes parts to convert a B3 rigid mount motor (page 148) to B14 face mounting.

**For Aluminum Frame Motors Only (192000 Series)**

	63 Frame		71 Frame		80 Frame		90 Frame	
	Cat. No.	App. Wgt. (lbs.)	Cat. No.	App. Wgt. (lbs.)	Cat. No.	App. Wgt. (lbs.)	Cat. No.	App. Wgt. (lbs.)
(B14) Face	175851.00	1	175853.00	1	175855.00	1	175857.00	1

**For Cast Iron Frame Motors Only (193000 Series)**

These kits are for use only on IEC cast iron motors - Premium Efficient.

	100 Frame		112 Frame		132 Frame		160 Frame	
	Cat. No.	App. Wgt. (lbs.)	Cat. No.	App. Wgt. (lbs.)	Cat. No.	App. Wgt. (lbs.)	Cat. No.	App. Wgt. (lbs.)
(B14) Face <sup>2</sup>	175817.60	8	175818.60	8	175819.60	12	175991.60	25

**SHADED FRAME INDICATES CAST IRON CONSTRUCTION**

**All three phase motors, 1 HP and above, are inverter rated.**

Specifications are subject to change without notice

**B3 FOOT-MOUNTED METRIC MOTORS • 575 VOLT**

Metric-dimensioned, AC motors meeting North American performance standards, including 1.15 service factor and Premium efficiencies. For replacement use on machine tools, textile machinery and other equipment with metric dimensions but requiring the heavy-duty torque and performance characteristics of motors designed for use in North America.

IP55 weatherproof enclosures, stamped nameplates, CE mark, and F3 conduit box location. Kits are available for field conversion from B3 to B3/B5 or B3/B14. See pages 149 & 150 for details.

Motors are available in one of two frame constructions: aluminum or cast iron. Aluminum frame models are designated with a 192000 series catalog number; cast iron models are 193000 series.



**THREE PHASE • IP55 • 1.15 S.F.**

HP-KW	SYN RPM 60 Hz	IEC Frame	Catalog Number	App. Wgt. (lbs.)	Voltage	F.L. Amps 575V	% F.L. Eff.	"C" Dim. (in.)
1/4-0.18	3600	D63	192088.00	10	575	0.3	72.0	8.54
	1800	D63	192089.00	11	575	0.4	68.0	8.54
1/3-0.25	3600	D63	192097.00	11	575	0.4	74.0	8.54
	1800	D71	192098.00	13	575	0.6	67.0	9.45
1/2-0.37	3600	D71	192106.00	13	575	0.7	74.0	9.45
	1800	D71	192107.00	14	575	0.7	74.0	9.45
3/4-0.56	3600	D71	192115.00	15	575	0.9	74.0	9.45
	1800	D80	192116.00	18	575	1.0	73.0	11.10
1-0.75	3600	D80	192124.00	21	575	1.1	75.5	11.10
	1800	D80	192125.00	26	575	1.4	82.5	11.10
1 1/2-1.1	3600	D80	192133.00	27	575	1.6	82.5	11.10
	1800	D90S	192230.00	37	575	1.8	86.5	13.10
2-1.5	3600	D90S	192231.00	33	575	2.1	86.5	13.10
	1800	D90L	192232.00	38	575	2.4	85.5	13.10
3-2.2	3600	D90L	192233.00	39	575	2.9	86.5	13.10
	1800	DF100L	193379.60	84	575	3.5	89.5	14.96
4-3	3600	DF100L	193380.60	71	575	4.0	88.5	14.96
	1800	DF100L	193381.60	84	575	4.2	89.5	14.96
5 1/2-4	3600	DF112M	193382.60	104	575	5.0	88.5	15.75
	1800	DF112M	193383.60	104	575	5.4	89.5	15.75
7 1/2-5.5	3600	DF132S	193384.60	152	575	7.2	89.5	18.70
	1800	DF132S	193385.60	150	575	7.9	91.7	18.70
10-7.5	3600	DF132S	193386.60	163	575	9.6	90.2	18.70
	1800	DF132M	193387.60	174	575	10.5	91.7	20.28
15-11	3600	DF160M	193388.60	260	575	13.8	91.0	23.62
	1800	DF160M	193389.60	264	575	14.6	92.4	23.62

**THREE PHASE • IP55 • 1.15 S.F.**

HP-KW	SYN RPM 60 Hz	IEC Frame	Catalog Number	App. Wgt. (lbs.)	Voltage	F.L. Amps 575V	% F.L. Eff.	"C" Dim. (in.)
20-15	3600	DF160M	193390.60	269	575	18.8	91.0	23.62
	1800	DF160L	193391.60	311	575	19.0	93.0	25.39
25-18.5	3600	DF160L	193392.60	319	575	22.9	91.7	25.39
	1800	DF180M	193393.60	381	575	23.8	93.6	26.38
30-22	3600	DF180M	193394.60	355	575	27.5	91.7	26.38
	1800	DF180L	193395.60	427	575	28.4	93.6	27.95
40-30	3600	DF200L	193396.60	522	575	38.4	92.4	30.51
	1800	DF200L	193397.60	531	575	37.6	94.1	30.51
50-37	3600	DF200L	193398.60	546	575	46.8	93.0	30.51
	1800	DF225S	193399.60	632	575	47.2	94.5	33.26

**METRIC (IEC) B5 FLANGE KITS**

Includes parts to convert these B3 rigid mount motors to a B5 flange mounting. See kits on page 149.



**METRIC (IEC) B14 FACE KITS**

Includes parts to convert these B3 rigid mount motors to a B14 face mounting. See kits on page 150.



**REDUCED DIAMETER METRIC FLANGES**

Imported OEM equipment can often have a flange face that is different from it's motor's frame size. LEESON now stocks metric (IEC) reduced diameter B14 flanges so you can put a 71 frame flange on an 80 frame motor for example. Flanges come pre-fitted with oil seals and have all the necessary hardware for easy field mounting.

Motor Frame	B14 Flange Frame	Catalog Number
63	56	175900.00
71	63	175901.00
80	71	175902.00
90	80	175903.00



12-lead Delta windings (132MD frame and larger)  
for across-the-line or wye-delta starts.

**SHADED FRAME INDICATES CAST IRON CONSTRUCTION**

See page 276 for metric IEC Motor Dimensions

All three phase motors, 1 HP and above, are inverter rated.